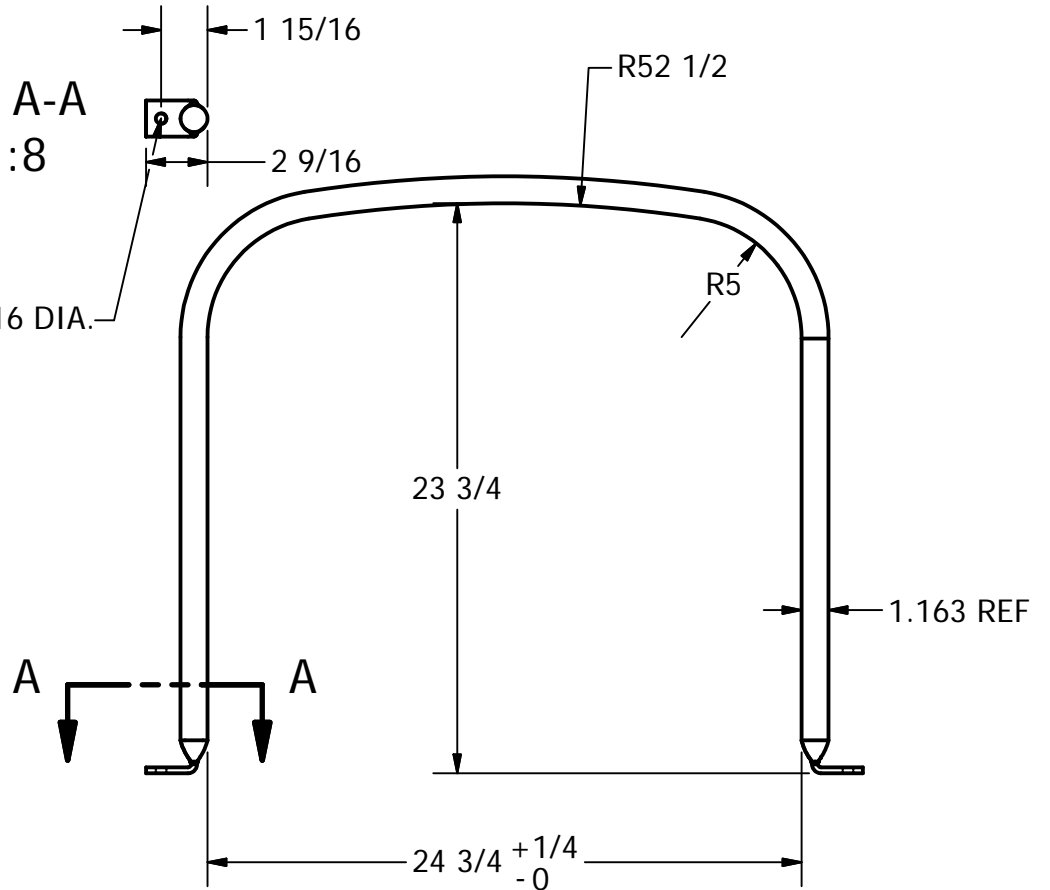
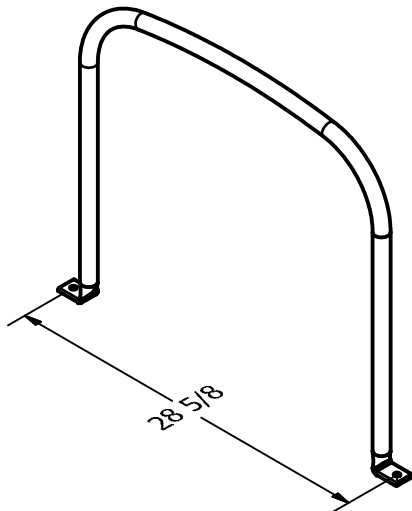



SECTION A-A
SCALE 1:8

(2) HOLES, 7/16 DIA.



MAT'L: 1" ELECTRICAL METALLIC TUBING (EMT)



DRAWN Jerry Paulson	2/21/2008	 NORWESCO, INC., ST. BONIFACIUS, MN		
CHECKED				
QA		HOOP, 100 GALLON FLAT BOTTOM UTILITY TANK		
MFG				
APPROVED		SIZE	DWG NO	REV
		A	63552	
		SCALE: 1/8	SHEET 1 OF 1	